

# ZSC1000/1001K

## GE Monogram Built-In Advantium® 120 Oven

### Dimensions and Installation Information (in inches)

#### Installation Requirements

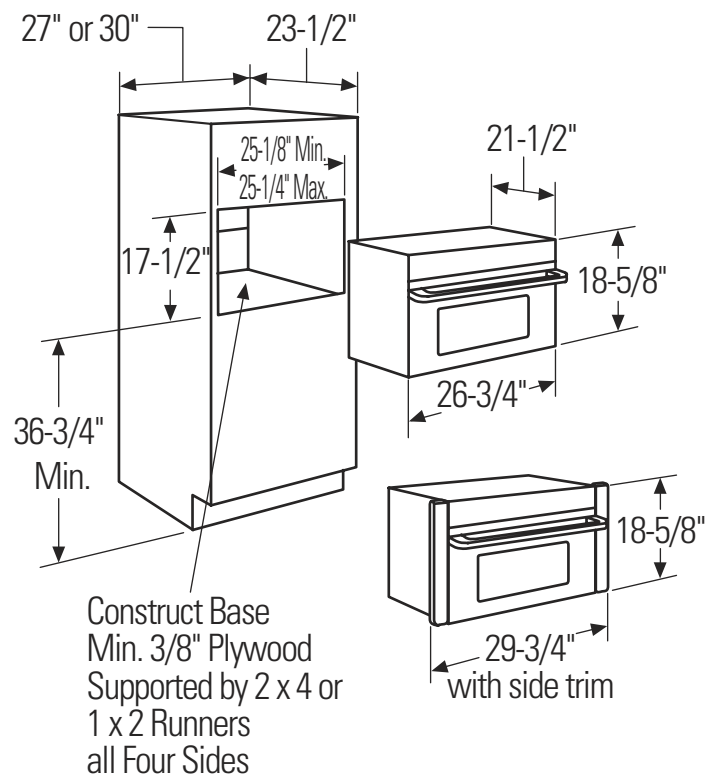
The Monogram Advantium 120 Built-In Oven can be installed directly into a wall, 27"- wide or 30"-wide wall oven cabinetry. Install it alone, with a wall oven or with a warming drawer.

- This oven must be installed at least 36-3/4" above the floor.
- For personal safety, this oven cannot be installed in a cabinet arrangement such as an island or peninsula.
- This oven is not approved for installation below a countertop, side by side or stacked.

#### Electrical Requirements

Product rating is 120 volt, 60 Hz, 15 amp circuit and draws 1.8 kilowatts. It must be connected to a supply circuit of the proper voltage and frequency and protected by a time-delay fuse or circuit breaker.

**Installation Information** - Before installing, consult installation instructions packed with product and available online at [monogram.com](http://monogram.com) for current dimensional data.



For answers to your Monogram,® GE Profile™ or GE® appliance questions, visit our website at [ge.com](http://ge.com) or call GE Answer Center® service, 800.626.2000.



imagination at work



Listed by  
Underwriters  
Laboratories

# ZSC1000/1001K

## GE Monogram Built-In Advantium® 120 Oven

### Dimensions and Installation Information (in inches)

#### Cutout and Product Dimensions

**Advantium 120 Oven Installed Alone** - Order a 27" or 30"- wide single oven cabinet or cut the opening in a wall to the dimensions shown.

**Advantium 120 Oven Installed Above a Monogram Warming Drawer** - An anti-tip block must be installed at the rear of the warming drawer opening. See installation instructions for complete details.

- The warming drawer must be supplied with a separate 120V, 60Hz, properly grounded receptacle.

**Advantium 120 Oven Installed Above a Monogram Single Wall Oven** - When installed over a single oven or a warming drawer, allow at least 2" between the two openings. This separation will provide clearance for bottom overlap of the Advantium oven and top overlap of the single oven or warming drawer.

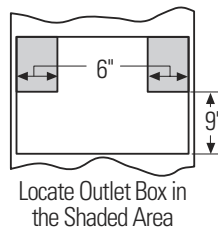
- The Advantium 120 oven and single oven combination must be supplied with separate electrical connections.

**Advantium 120 Oven Installed Above a Monogram Single Wall Oven and a Warming Drawer** - An anti-tip block must be installed at the rear of the warming drawer opening. See installation instructions for complete details.

- The warming drawer and the Advantium 120 oven must be supplied with separate 120V, 60Hz, properly grounded receptacles.

**Electrical Location** - Locate a recessed outlet within 6" of either side and at least 9" above the cutout floor.

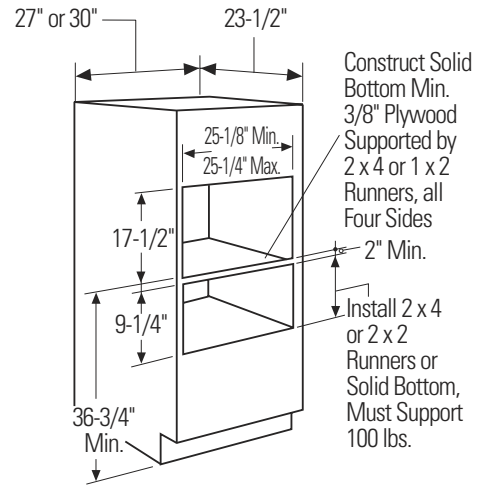
The serial plate is located on the oven cavity flange, behind the door.



For answers to your Monogram®, GE Profile™ or GE® appliance questions, visit our website at [ge.com](http://ge.com) or call GE Answer Center® service, 800.626.2000.

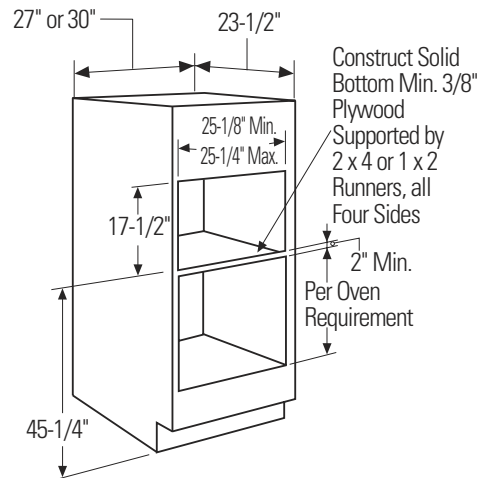
#### Installed Above a Monogram Warming Drawer

**\*Note:**  
The middle rail separating the two openings may need to be larger than the 2" min. shown.



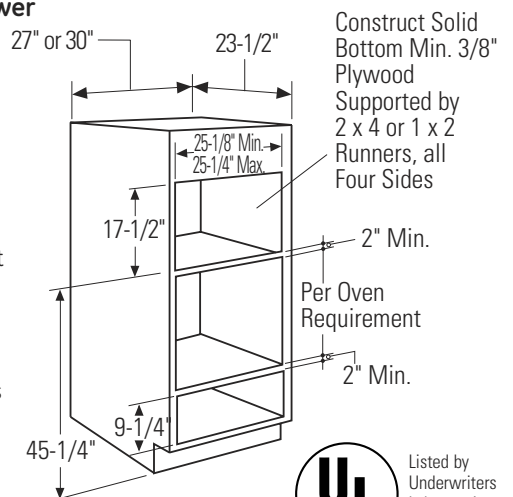
#### Installed Above a Monogram Single Wall Oven

**\*Note:**  
The middle rail separating the two openings may need to be larger than the 2" min. shown.



#### Installed Above a Monogram Single Wall Oven and a Warming Drawer

**\*Note:**  
Additional clearance between the cutouts may be required. Check to be sure the oven supports above the warming drawer location do not obstruct the required interior depth and height. See each specific product's installation instructions for details.

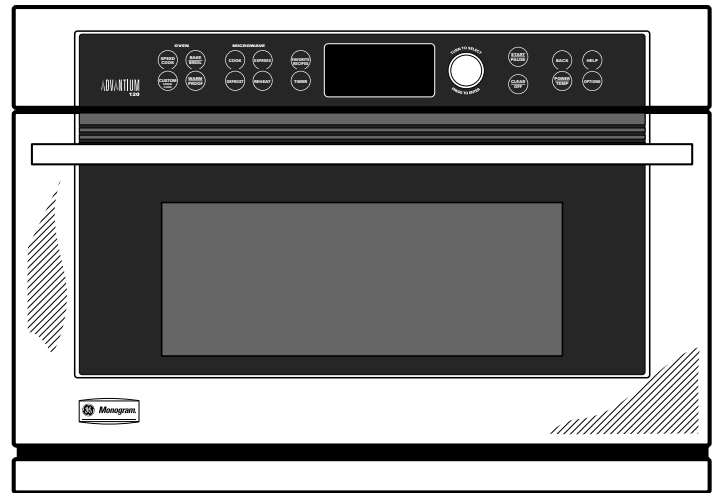


# ZSC1000/1001K

## GE Monogram Built-In Advantium® 120 Oven

### Features and Benefits

- Speedcook technology – Halogen light system speedcooks your favorite foods to delicious perfection in minutes, with no preheating
- Sophisticated styling – Clean lines offer a stylish, modern look that coordinates beautifully with other Monogram built-in products
- Powerful performance – Oven quality foods cook up to four times faster than a conventional oven, with no preheating required
- Remarkable versatility – Multiple cooking options create four ovens in one - Speedcook, true European convection, sensor microwave and warming ovens - to bake, broil, brown, roast, warm and proof foods
- Spacious interior – Rounded oven cavity and 16" turntable allow full and continual rotation of a 9"x13" casserole dish; removable oven rack offers the convenience of multi-level cooking
- Installation flexibility – Ovens can be installed in a 27" or 30" wall cabinet (with trim kit)
- Model ZSC1000KBB – Black on black
- Model ZSC1001KSS – Stainless steel



imagination at work